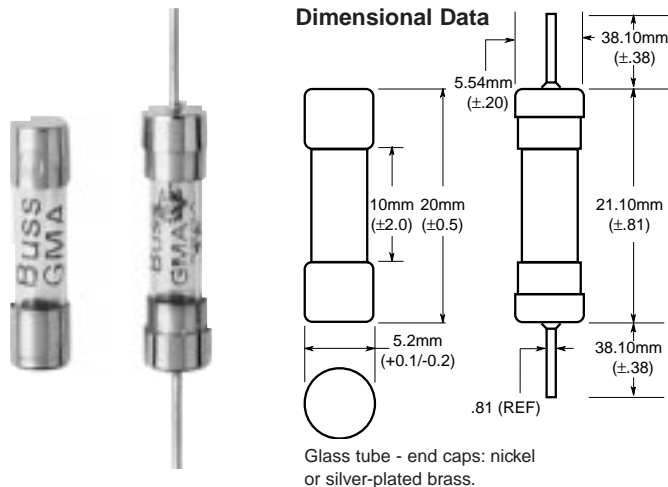


5 x 20mm Ferrule Fuses

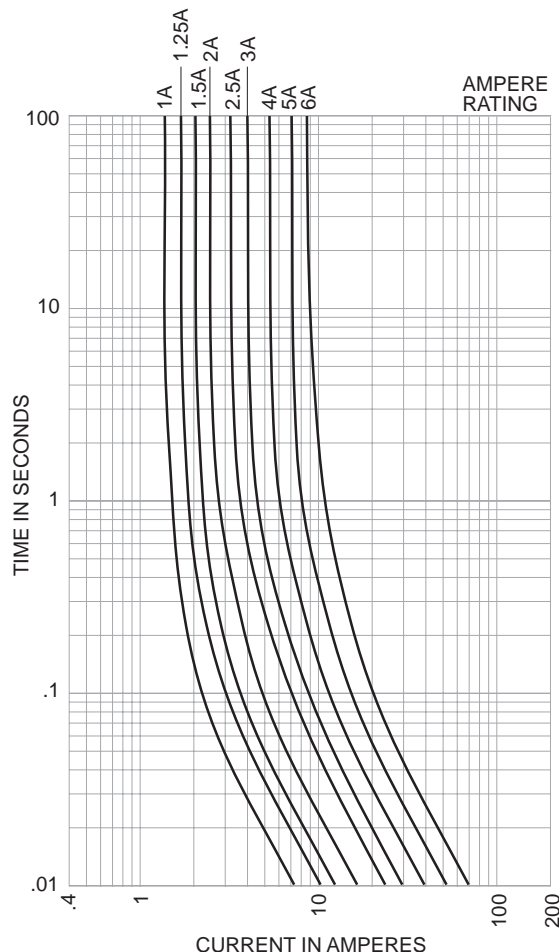
Fast-Acting

GMA

GMA-V



Time-Current Characteristic Curves—Average Melt



CATALOG SYMBOL: GMA
 FAST-ACTING
 63mA - 6A UL LISTED, STD. 248-14
 (GUIDE # JDYX, FILE E75865)
 7A - 15A UL RECOGNIZED
 (GUIDE # JDYX2, FILE E75865)

Limits for Pre-arcing Time

In	1.35 In	2.0 In
	MAX	MAX
63mA - 10A	60 min.	2 min.
15A	—	2 min.

1.1 In: $\Delta t \leq 70^\circ\text{C}$, 63mA - 10A.
 1.0 In: $\Delta t \leq 70^\circ\text{C}$, 15A.

Packaging & Ordering Information:

Product Symbol	Lead	Ampere Rating
GMA	Package Code Blank (None) V Axial Leads .032 x 1.5" Copper Tinned	

Markings: MFG mark, Rated Current, Rated Voltage, Product Symbol, Approvals where Applicable.

CE logo denotes compliance with European Union Low Voltage Directive (50-1000 VAC, 75-1500 VDC). Refer to BIF document #8002 or contact Bussmann Application Engineering at 314-527-1270 for more information.

5 x 20mm Ferrule Fuses

Fast-Acting

GMA

GMA-V

Electrical Characteristics

Current Rating (In)	Rated Voltage (V AC)	Breaking Capacity	Voltage Drop (mV) max.	Pre-arcing Value (I ² t) (A ² s) typ.	UL	UR	CSA	JIS
63mA	250	35A/250V AC 10kA/125V AC p.f. = 0.7 - 0.8	4700	0.0024	•		•	
100mA			4300	0.0001	•		•	
125mA			2600	0.0024	•		•	
200mA			3400	0.001	•		•	
250mA			2200	0.018	•		•	
300mA			470	0.019	•		•	
315mA			450	0.019	•		•	
500mA			230	0.15	•		•	
600mA			200	0.32	•		•	
750mA			200	0.47	•		•	
800mA			180	0.70	•		•	
1A			300	0.48	•		•	
1.2A			290	0.78	•		•	
1.25A			290	0.84	•		•	
1.5A			270	1.6	•		•	
1.6A			260	2.0	•		•	
2A	250	3.1	•		•			
2.5A	240	4.9	•		•			
3A	215	8.8	•		•			
3.15A	125	10kA/125V AC p.f. = 0.7 - 0.8	210	9.7	•		•	
3.5A			210	13	•		•	
4A			205	19	•		•	
5A			200	29	•		•	
6A			180	45	•		•	
7A			110	150		•		•
8A			110	280		•		•
10A	110	280		•		•		
15A	100	950		•		•		
		150A/125V AC p.f. = 1.0				•		•

This bulletin is intended to clearly present comprehensive product data and provide technical information that will help the end user with design applications. Bussmann reserves the right, without notice, to change design or construction of any products and to discontinue or limit distribution of any products. Bussmann also reserves the right to change or update, without notice, any technical information contained in this bulletin. Once a product has been selected, it should be tested by the user in all possible applications.