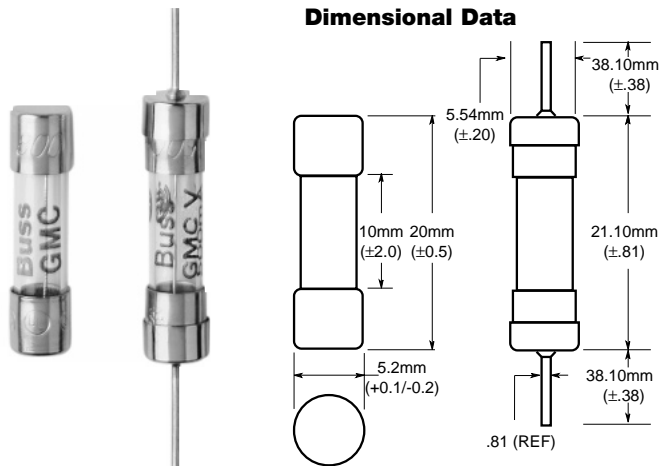


5mm x 20mm Ferrule Fuses

Medium Time-Delay

GMC
GMC-V



Glass tube - end caps: nickel or silver-plated brass.

Catalog Symbol: GMC

Medium Time-Delay

Agency Approvals:

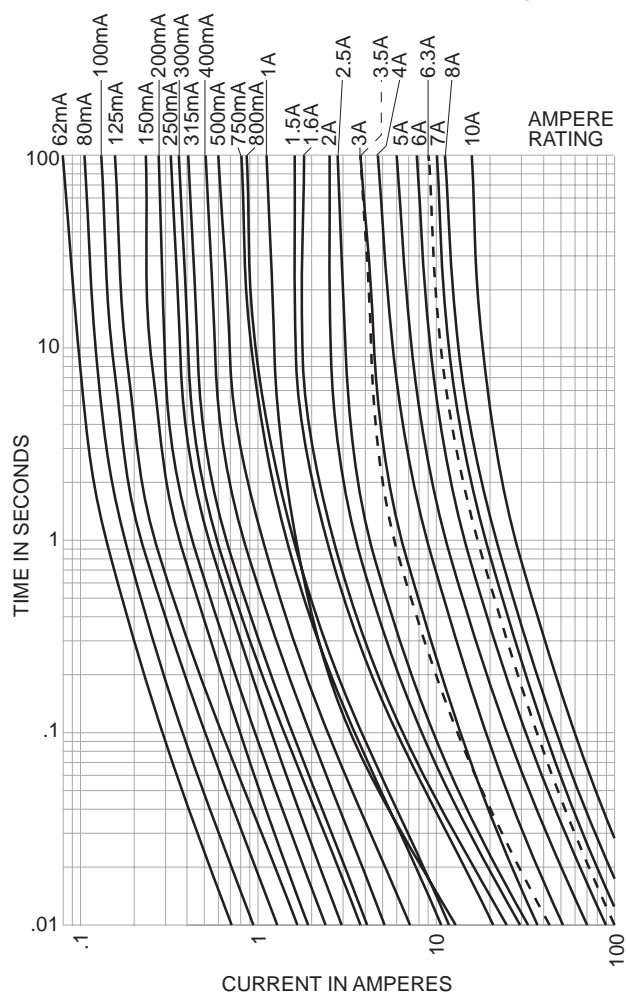
63mA-6.3A U.L. Listed, Std. 248-14, Guide JDYX, File E75865
7A-8A U.L. Recognized, Guide JDYX2, File E75865

Limits for Pre-arcing Time

In	1.35 In	2.0 In	10 In
	Max.	Max.	Min.
50m -10A	60 min.	2 min.	10 ms.

1.1 In: Δt ≤ 70°C, 50mA-6.3A.

Time-Current Characteristic Curves—Average Melt



Packaging & Ordering Information:

GMC		
Product Symbol	Lead	Ampere Rating
	Package Code	
	Blank (None)	
	V Axial Leads	
	.032" x 1.5"	
	Copper Tinned	

Markings: MFG mark, Rated Current, Rated Voltage, Product Symbol, Approvals where Applicable.

CE CE logo denotes compliance with European Union Low Voltage Directive (50-1000 Vac, 75-1500 Vdc). Refer to BIF document #8002 or contact Bussmann Application Engineering at 314-527-1270 for more information.

5mm × 20mm Ferrule Fuses

Medium Time-Delay

GMC
GMC-V

Electrical Characteristics

Current Rating (In)	Rated Voltage (Vac)	Breaking Capacity	Voltage Drop (mV) max.	Pre-arcing Value (I ² t) (A ² S) Typ.	U.L.	U.R.	CSA	JIS	
50mA	250	35A/250 Vac 10kA/125 Vac p.f. ≈ 0.7-0.8	1600	0.00027	•		•		
63mA			1400	0.0027	•		•		
80mA			1300	0.0050	•		•		
100mA			1200	0.0094	•		•		
125mA			1000	0.014	•		•		
150mA			800	0.022	•		•		
160mA			750	0.022	•		•		
200mA			600	0.032	•		•		
250mA			520	0.046	•		•		
300mA			520	0.081	•		•		
315mA			470	0.081	•		•		
400mA			500	0.18	•		•		
500mA			390	0.41	•		•		
600mA			350	0.60	•		•		
630mA			360	0.66	•		•		
700mA			330	0.85	•		•		
750mA			320	0.85	•		•		
800mA			310	0.85	•		•	•	
1A			240	1.8	•		•	•	
1.25A			190	3.4	•		•	•	
1.5A	190	5.4	•		•	•			
1.6A	100A/250 Vac 10kA/125 Vac p.f. ≈ 0.7-0.8	160	5.8	•	•	•			
2A		130	8.9	•	•	•			
2.5A		130	13	•	•	•			
3A		130	19	•	•	•			
3.15A		130	23	•	•	•			
3.5A	125	10kA/125 Vac p.f. ≈ 0.7-0.8	130	25	•	•	•		
4A			130	36	•	•	•		
5A			130	58	•	•	•		
6A			130	88	•	•	•		
6.3A			130	110	•	•	•		
7A			130	150			•		
8A			200A/125 Vac p.f. ≈ 1.0	130	200			•	
10A				130	300				

This bulletin is intended to clearly present comprehensive product data and provide technical information that will help the end user with design applications. Bussmann reserves the right, without notice, to change design or construction of any products and to discontinue or limit distribution of any products. Bussmann also reserves the right to change or update, without notice, any technical information contained in this bulletin. Once a product has been selected, it should be tested by the user in all possible applications.